

RESPONSIVE

HOT TAP / LINE STOP



WELDFIT™

NOBODY WORKS HARDER TO KEEP YOU PRODUCTIVE.

Tie-ins. Repairs. Inspections. Everything needs to get done, but the market won't wait. That's why you need hot tap and line stop support you can count on. WeldFit has your back with a commitment to delivering service that won't slow you down.

Whether you're building out new infrastructure or performing routine maintenance, we're ready to make things happen. Don't just hire the usual suspects. Call a crew that's experienced, brings state-of-the-art equipment, pays attention to detail and truly wants the work.

SUPERIOR RESPONSIVENESS

When WeldFit works for you, we work for your schedule too. We're committed to responsive service on everything from permitting to contractor coordination—from crew arrival to product delivery and beyond.

EXPERIENCED CREWS

Our teams get the work done right and on time. That means understanding what your project is up against and presenting you with a course of action that positions it for success.

EFFICIENT SUPPORT

Dedicated service. Efficient solutions. That's how WeldFit works. We're equipped to provide responsive support for your hot tap and line stop service needs.

SMOOTH EXECUTION

Our crew has built a reputation for world class performance when it comes to hot tap and line stop services. We work hard to ensure a seamless execution, and we're proud of every job we complete.

MORE UPTIME

As a core part of our promise, WeldFit strives to preserve your product flow. Our job is to make your pipeline more productive, and customers trust us to consistently deliver on that promise.

HIGH-QUALITY FITTINGS

A top-quality hot tap or line stop job requires top-quality fittings. Ours are engineered and fabricated in-house and come with a number of configurations and sizes. Want to feel confident about every specification? That's how WeldFit works.

EXEMPLARY SAFETY PERFORMANCE

We take hot tapping and temporary line plugging services very seriously. Safety comes first in everything that we do, and our standards go beyond customer safety requirements to continuously improve all aspects of our HSE performance.

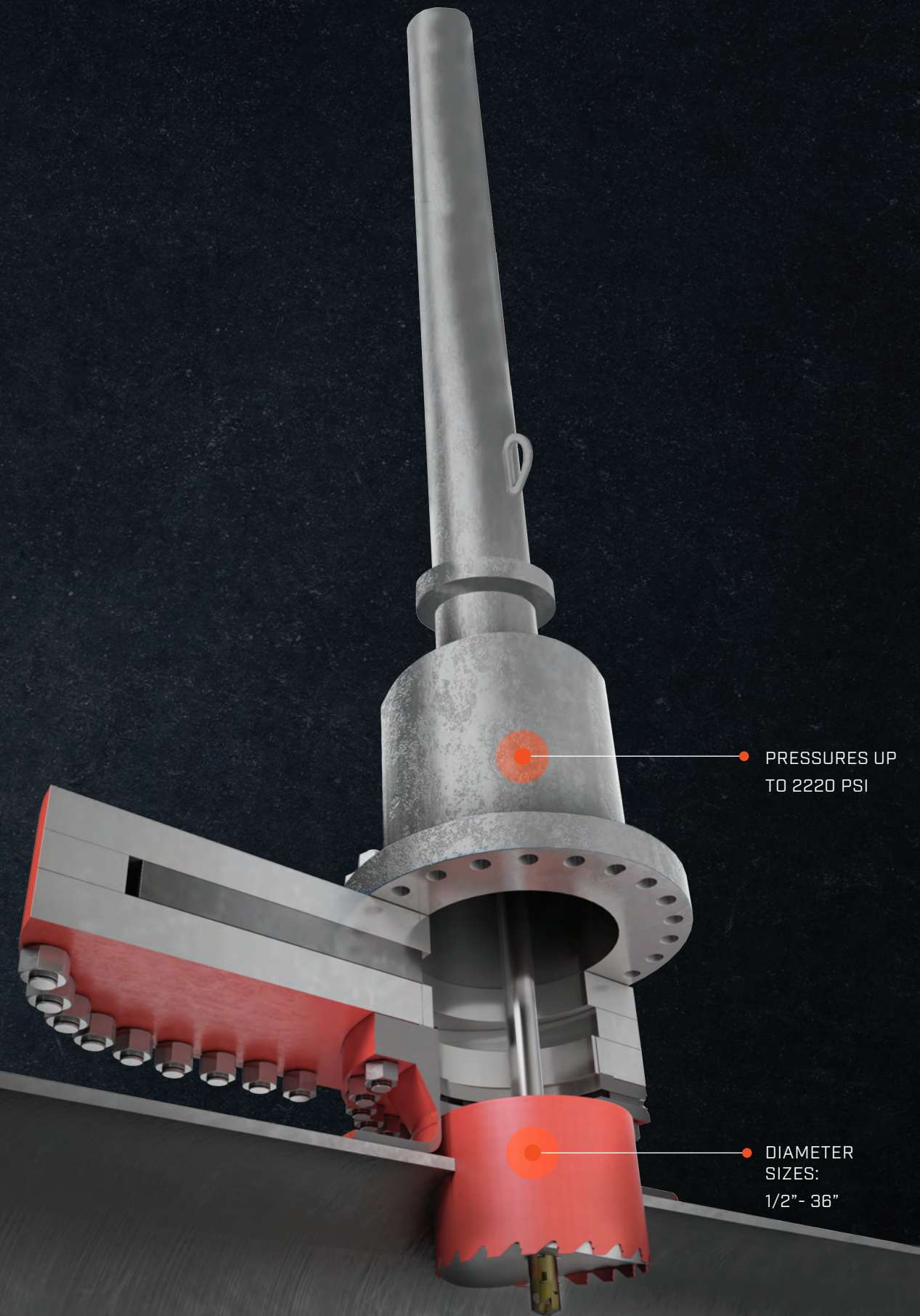
ADVANCED PREPARATION

A smooth hot tap or line stop job starts long before the crew arrives. Your WeldFit team will perform exhaustive pre-project planning and preparation to ensure zero complications or delays on site.

HOT TAP SERVICES THAT KEEP YOU ONLINE AND ON TIME.

Nobody puts in work like WeldFit's hot tap crews—from simply returning phone calls and fast-tracking quotes to putting in extra effort on site to ensure strong execution.

We don't just want to get the job done; we do it with precision. Our specialized teams are highly-trained in the latest technology, and our skills ensure that any tie-in or other intervention goes smoothly. That's because we want to make everything we touch as productive as possible, constantly pushing ourselves to help each customer get ahead.



01

EXPERIENCED
TECHNICIANS WITH
EXTENSIVE TRAINING

02

QUALITY
FITTINGS DESIGNED
AND MADE IN-HOUSE

03

STRICT SAFETY
PROTOCOLS AND
A STRONG SAFETY
RECORD

04

RESPONSIVE
SERVICE AND
QUICK QUOTATIONS

LINE STOP SERVICES THAT KEEP YOU PRODUCTIVE.

When you work with WeldFit, you get line stop services that maximize uptime and minimize project stress.

Our skilled technicians know exactly what to look for and have the expertise to recommend the best isolation configurations for your project. Customers always deal with an expert—that's how WeldFit works.

IMMEDIATE QUOTATION AND CALLBACK

WeldFit is always mindful of your schedule, and dedicated to quick, reliable support.

A VARIETY OF LINE STOP CONFIGURATIONS

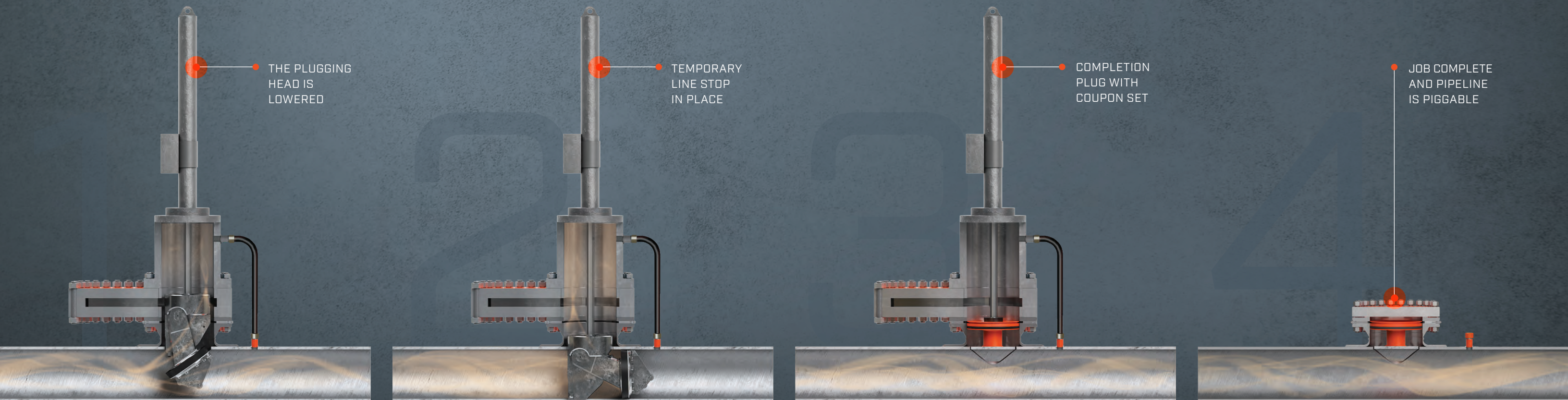
We have what it takes to provide the right configuration for your particular application.

EXPERT ISOLATION CONSULTATION

We provide insights to the most effective and efficient solutions.

EXTENSIVE RANGE OF EQUIPMENT

Our teams are well-equipped to tackle any range of hot tap and line stop service needs.



THE PLUGGING HEAD IS LOWERED

TEMPORARY LINE STOP IN PLACE

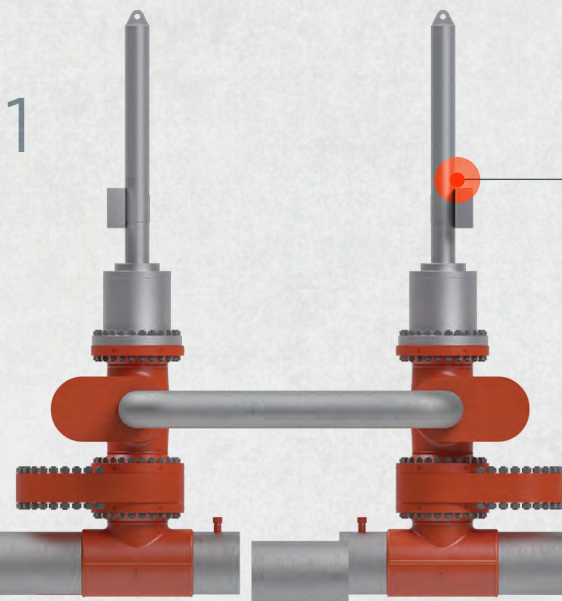
COMPLETION PLUG WITH COUPON SET

JOB COMPLETE AND PIPELINE IS PIGGABLE

MAXIMUM PRODUCTIVITY

At WeldFit, your productivity is our priority. We work hard to optimize bypass operations no matter the project variables. And our expert technicians are able to walk you through the best solutions for any application, and then deliver the smoothest execution in the field. The result? Smooth project delivery with uninterrupted flow of product and profits.

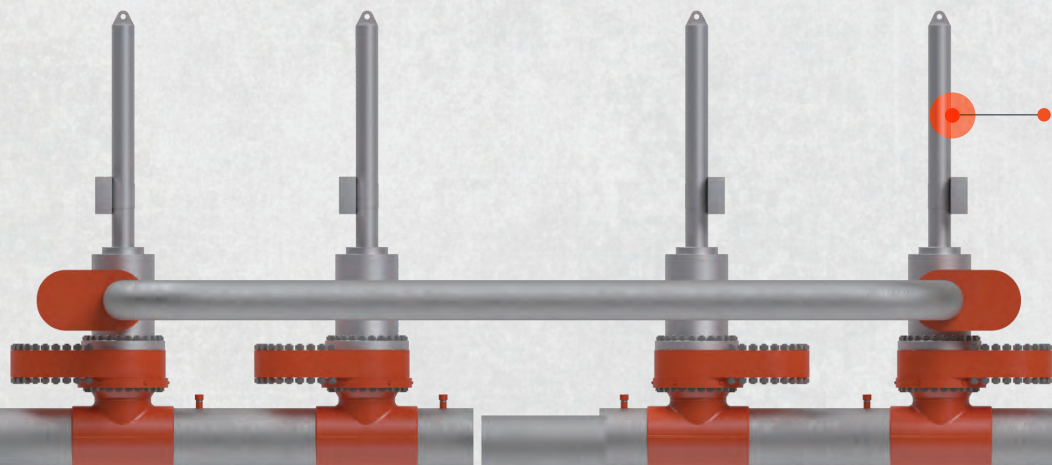
01



BYPASS THROUGH 3-WAY TEES OR SPOOL ADAPTORS

When reduced flow is acceptable and constricted flow is still adequate to maintain operational expectations, bypass method 01 or 02 are recommended.

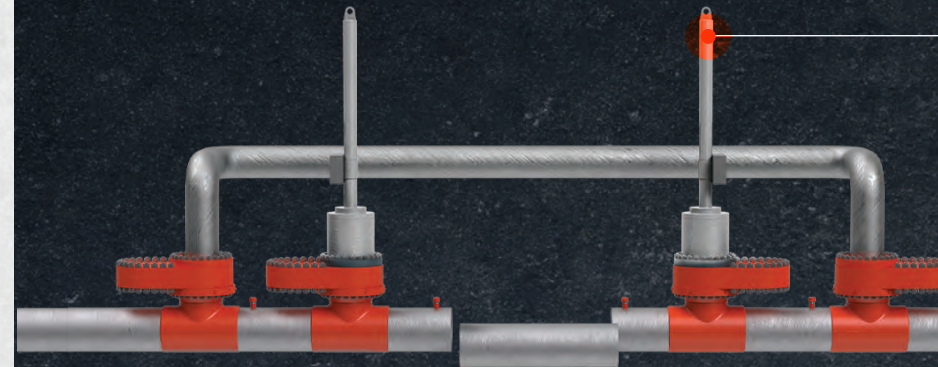
02



TRUE DOUBLE BLOCK & BLEED BYPASS THROUGH HOUSING

All the assurance of true double block & bleed delivered with only minor reduction in product flow.

03



EXTERNAL BYPASS

When full flow production is required to maintain operational expectations.

04

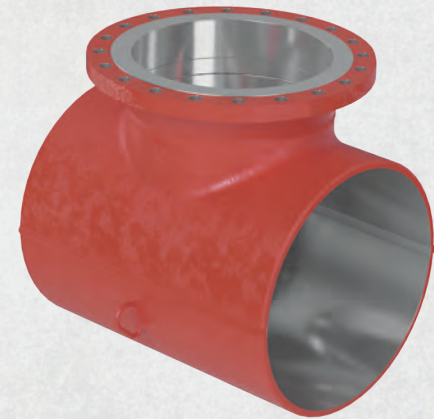


TRUE DOUBLE BLOCK & BLEED

A true double block & bleed has two separate control bars that can actually provide the ability to reset if blowby occurs. Less expensive than other double block & bleed systems.

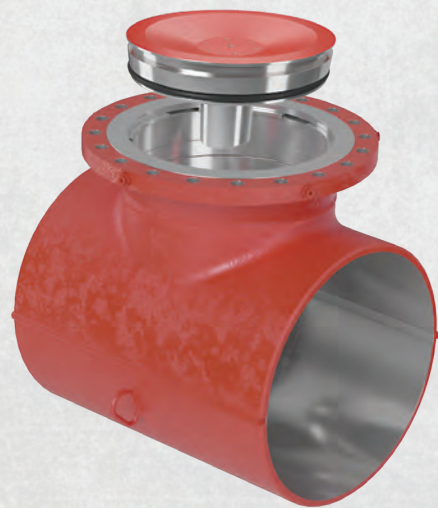
FITTINGS THAT WORK AS HARD AS WE DO.

Our fittings deliver unwavering quality. We offer standard and custom designs for both onshore and offshore applications, and a wide variety of configurations so you can be sure you get what you need every time. Plus, our fittings are manufactured to ISO:9001:2015 and ASME Section VIII, Div. 1—all engineered, fabricated and inspected in-house.



HOT TAP FITTINGS

- 01 **DESIGNED**
to eliminate fabrication stress risers
- 02 **ENGINEERED**
with integral fitting reinforcement
- 03 **AVAILABLE**
in material grades from A234 WPB to WPHY-70
- 04 **STRONG**
quality with no run-to-branch weld



LINE STOP FITTINGS

- 01 **SURELOC®**
flange system
- 02 **SURELOC®**
plug held in place by segment rings
- 03 **O-RING**
that creates strong seal
- 04 **SCARFED**
nipple plug

SPECIALTY FITTINGS



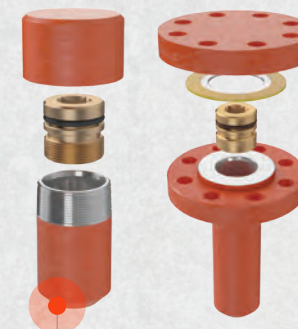
01 **DOUBLE-HUB**
FITTINGS



02 **SPHERICAL**
3-WAY TEES



03 **3-WAY TEES**



04 **PURGE & EQUALIZATION**
FITTINGS



05 **3-WAY TEE**
FLOW THROUGH
PLUGS



06 **FLOW THROUGH**
PLUGS

STOCKED AND READY SO YOU WASTE ZERO TIME.

It's our mission to always provide better support for your operation. We work hard to maintain a wide-ranging inventory of pipeline-related components—always available for same-day or

next-day shipment. That means you get access to a wide selection of fittings, flanges, flow-through plugs and other essentials available in a variety of sizes, materials and configurations.

STAYING SAFE MEANS STAYING PRODUCTIVE.

Hot tap and line stop operations, and the pipeline and processing industry in general, offer inherent risks. Yet when you put in the work to create a strong safety culture, those risks can be minimized systematically. WeldFit's Target Zero program sets forth a roadmap for the organization to follow in keeping our employees, customers, partners and host communities safe through best practices and protocols proven for over 50 years.

Target Zero ensures safety through formal training and detailed procedural protocols—ingrained into our hot tap and line stop crews before anyone steps onto the job site. The program includes:

- / DETAILED JOB SAFETY ANALYSIS
- / NEAR-MISS REPORTING AND ANALYTICS
- / IN-HOUSE TRAINING AND CERTIFICATION (CLASSROOM AND HANDS-ON INSTRUCTION)
- / STRUCTURED MENTORSHIP PROGRAMS
- / ANNUAL SAFETY AUDITS AND REVIEWS
- / DATA-DRIVEN IMPROVEMENT SYSTEMS
- / TRAINING/CERTIFICATIONS THROUGH DOT, OQ AND NCCER

DRIVEN BY SAFETY. PROVEN AT THE HIGHEST STANDARDS.

At WeldFit, our in-house certification process not only establishes a thorough understanding of a job-well-done, but it also focuses on an immersive safety and operational perspective. Our comprehensive skills assurance program includes the following mandates to ensure safety is a cornerstone of our training:

- / Our in-house certification process delivers an integrated approach, rotating technicians across a variety of projects, technical focuses, equipment and problem-solving complexities.
- / We maintain a strict and facilitative approach to certifications, allowing no compromises when it comes to maintaining certifications with Department of Transportation standards or Operator Qualification (OQ), NCCER and various regional safety councils.
- / WeldFit conducts annual audits and refreshers with every one of our technicians in order to ensure that we're meeting and advancing the industry's best practices.
- / Our education methods are multifaceted, combining classroom training, monitored hands-on instruction and extensive personal mentorship.



KEEPING PIPELINES PRODUCTIVE

WHEN AND WHERE YOU NEED US

Wherever you find WeldFit, you'll find work getting done. From the largest pipeline networks in the United States to processing facilities for independent producers, WeldFit supports pipeline productivity in almost every major operating basin and hydrocarbon delivery corridor in North America.



READY TO SCHEDULE?

We're ready to work. Contact WeldFit and let's talk about your next hot tap or line stop project. We know what you need and can bring all of the experts and equipment to keep you productive the whole way through. Visit weldfit.com, or call 713-460-3700. You can also email specs to Info@weldfit.com to get the quotation process started.



WELDFIT™

4133 Southerland Rd. | Houston, TX 77092 | 713-460-3700 | Weldfit.com

® Registered Trademark of WeldFit Corporation in the United States and other countries.

™ Trademark in the United States and other countries. © Copyright 2019 All rights reserved by WeldFit Corporation. WF003-1019